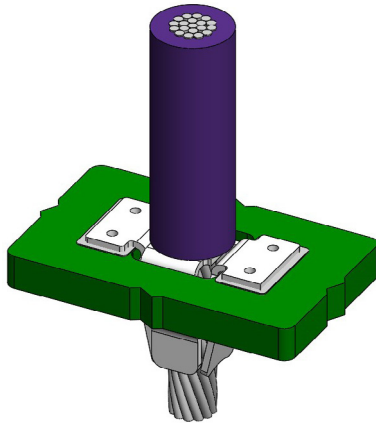


# POKE HOME: VERTICAL CONTACT THRU-BOARD WIRE INSERTION 12-18 AWG: 9296-11X



## General Information



### GENERAL DESCRIPTION

KYOCERA AVX continues to develop unique connectors to fill the gap in the market. The newest addition to AVX's broadening line of wire to board poke-home is the 12-18AWG box contact 9296-11X, which is extension of popular vertical poke-home contact 70-9296. This new box contact will allow all 12-18 AWG solid wires and stranded wires. All wire types can be used in both plated and un-plated condition.

This small contact is packed with several key features that provide significant functionality in a broad range of applications. The contact is designed for PCB surface mount and termination is accomplished with 12-18AWG wires pushed directly into the contact.

### APPLICATIONS

Provides a one piece wire to board contact solution in applications :

- Machine Controls: motors, drives, solenoids, sensors, battery packs, fans and pumps
- Commercial Buildings: controls, security, fire and sensors
- SSL/LED: Fixtures, signage and street lights
- Home appliance: Vacuums and floor cares, washing machines, dryers

### FEATURES AND BENEFITS

- Maximum 20 Amps current rating meets robust application requirements
- Accepts 12-18 AWG solid and stranded wires
- Box contact with side walls provides maximum mechanical stability and wire retention
- Tape and reel packaged for automated SMT placement
- UL approved

### ELECTRICAL

- Current Rating: Maximum 20 Amps
- Voltage Rating: 300 VAC (RMS) or DC equivalent

### ENVIRONMENTAL

- Operating Temperature: -40°C to +130°C
- Storage Temperature: -40°C to +70°C

### MECHANICAL

- Contact Material : Phosphor Bronze
- Plating: Pure tin plating

### HOW TO ORDER

**70**

Prefix

**9296**

Series

**001**

Number of Ways

**11X**

Wire Gauge Size  
114 = 16/18 AWG  
115 = 14 AWG  
116 = 12 AWG

**006**

Plating Options  
006 = Pure Tin



### CURRENT RATING

		70-9176-001-114-006		70-9176-001-115-006	70-9176-001-116-006
Wire		18 AWG	16 AWG	14AWG	12AWG
UL	Solid	12 Amps	14 Amps	17 Amps	20 Amps
	Stranded	12 Amps	14 Amps	17 Amps	20 Amps
cUL	Solid	11 Amps	14 Amps	15 Amps	20 Amps
	Stranded	11 Amps	14 Amps	15 Amps	20 Amps

Safety Standards: UL 1977-File #E90723

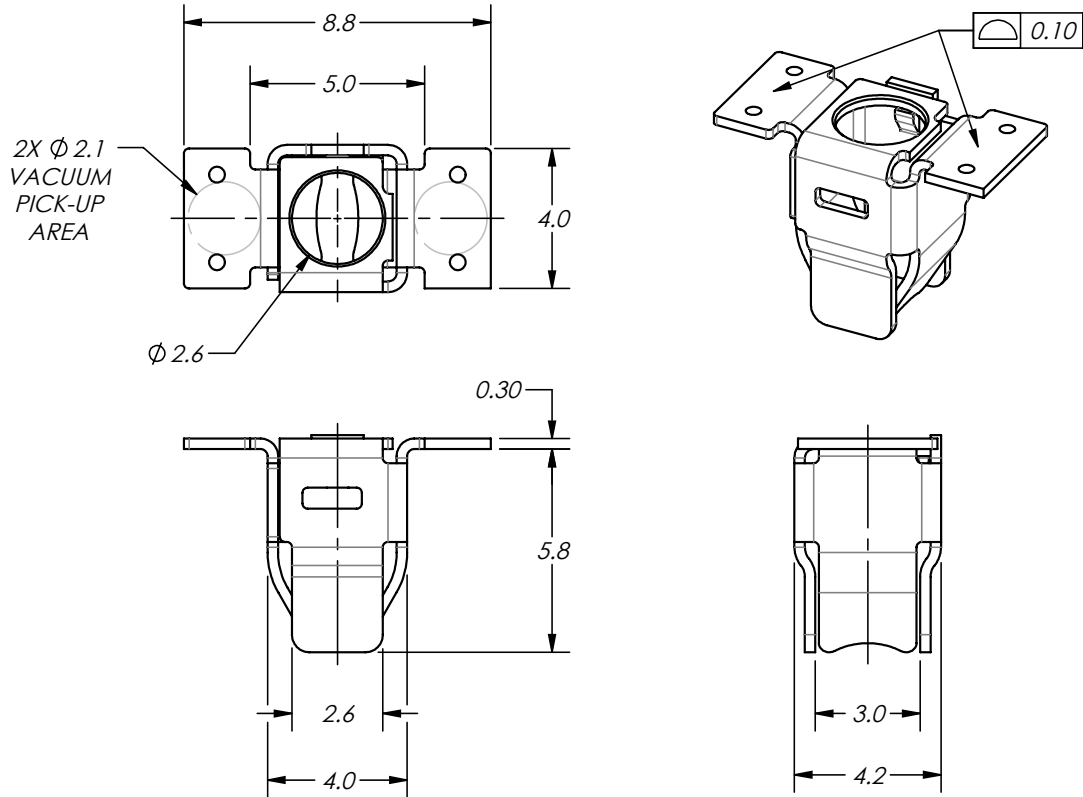
# POKE HOME: VERTICAL CONTACT THRU-BOARD WIRE INSERTION 12-18 AWG: 9296-11X



## 9296 Vertical Contact Thru-Board Wire Insertion

70-9296-001-116-006: 12 AWG

### VERTICAL CONTACT THRU-BOARD WIRE INSERTION



#### Notes

1. PART IS DESIGNED FOR USE WITH 12 AWG SOLID OR STRANDED WIRE.
2. MATERIAL: TIN-PLATED PHOSPHOR-BRONZE.
3. STRIPPED, STRANDED WIRE MUST BE PROPERLY TWISTED OR TINNED TO FUNCTION CORRECTLY.
4. CONTACT IS NOT DESIGNED FOR WIRE TO BE REMOVED AND RE-INSERTED.
5. FOR FURTHER INFORMATION, SEE KAVX PRODUCT SPEC 201-001-161 AND APPLICATION NOTES 201-01-167.
6. UL REFERENCE E90723 (US AND CANADA).

# POKE HOME: VERTICAL CONTACT THRU-BOARD WIRE INSERTION 12-18 AWG: 9296-11X

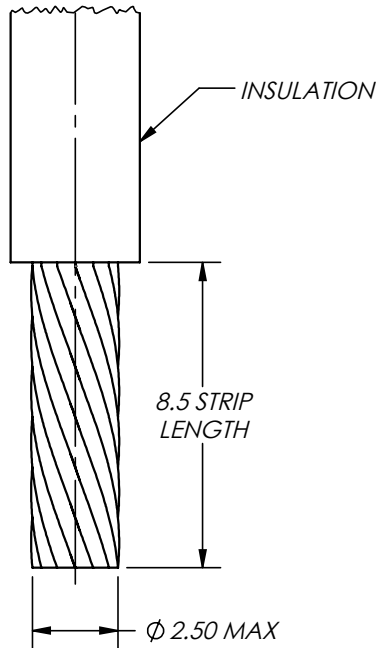


## Wire Detail/PCB Layout/Packing Details

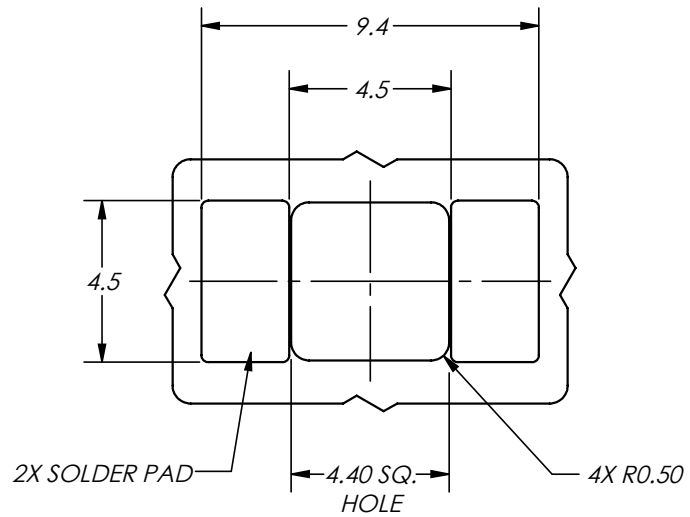
70-9296-001-116-006: 12 AWG

### VERTICAL CONTACT THRU-BOARD WIRE INSERTION

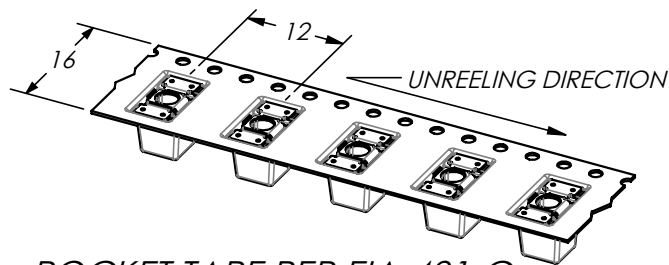
#### WIRE DETAIL



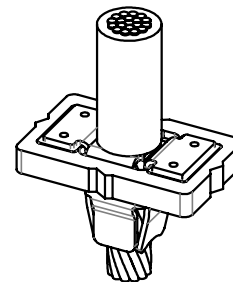
#### SUGGESTED PCB LAYOUT



#### PACKING DETAILS



POCKET TAPE PER EIA-481-C  
800 PARTS PER 330 mm REEL



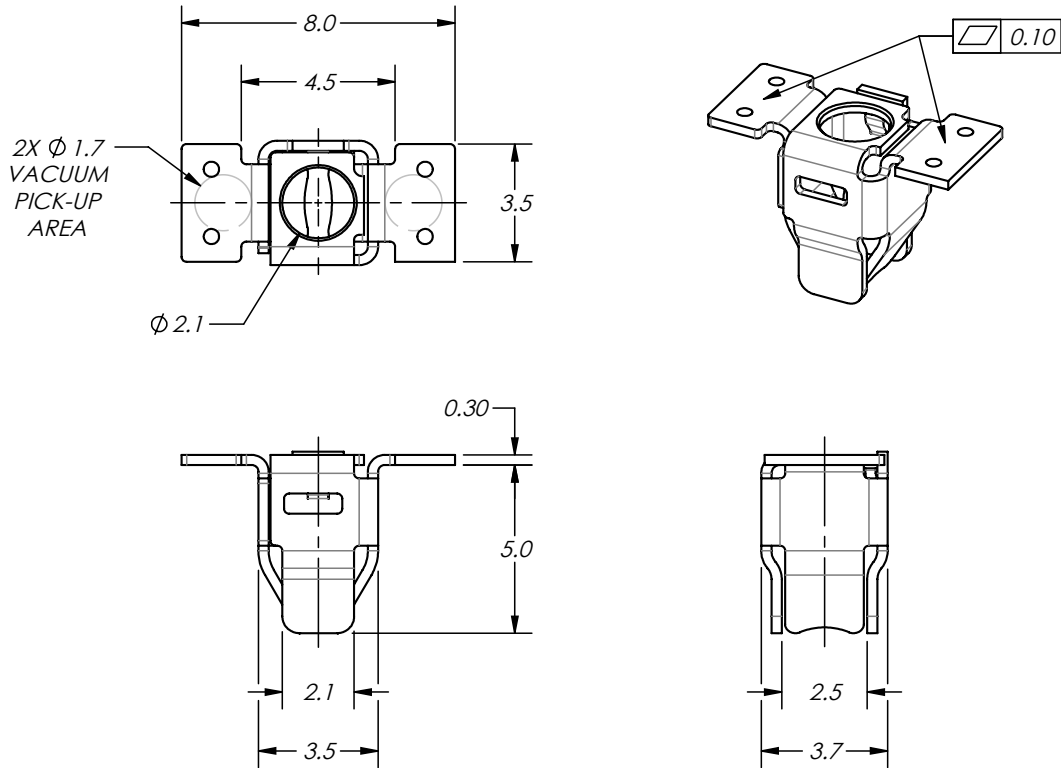
# POKE HOME: VERTICAL CONTACT THRU-BOARD WIRE INSERTION 12-18 AWG: 9296-11X



## 9296 Vertical Contact Thru-Board Wire Insertion

70-9296-001-115-006: 14 AWG

### VERTICAL CONTACT THRU-BOARD WIRE INSERTION



#### Notes

1. PART IS DESIGNED FOR USE WITH 14 AWG SOLID OR STRANDED WIRE.
2. MATERIAL: TIN-PLATED PHOSPHOR-BRONZE.
3. STRIPPED, STRANDED WIRE MUST BE PROPERLY TWISTED OR TINNED TO FUNCTION CORRECTLY.
4. CONTACT IS NOT DESIGNED FOR WIRE TO BE REMOVED AND RE-INSERTED.
5. FOR FURTHER INFORMATION, SEE KAVX PRODUCT SPEC 201-001-161 AND APPLICATION NOTES 201-01-167.
6. UL REFERENCE E90723 (US AND CANADA).

# POKE HOME: VERTICAL CONTACT THRU-BOARD WIRE INSERTION 12-18 AWG: 9296-11X

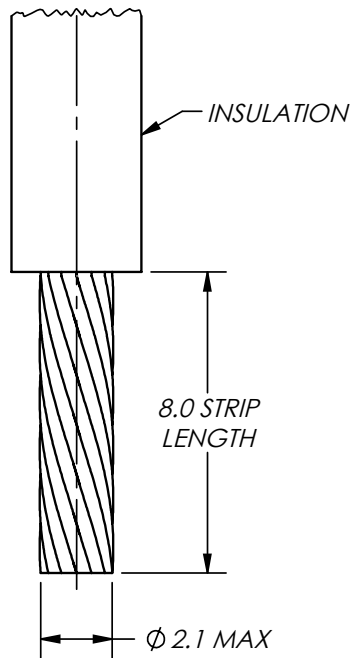


## Wire Detail/PCB Layout/Packing Details

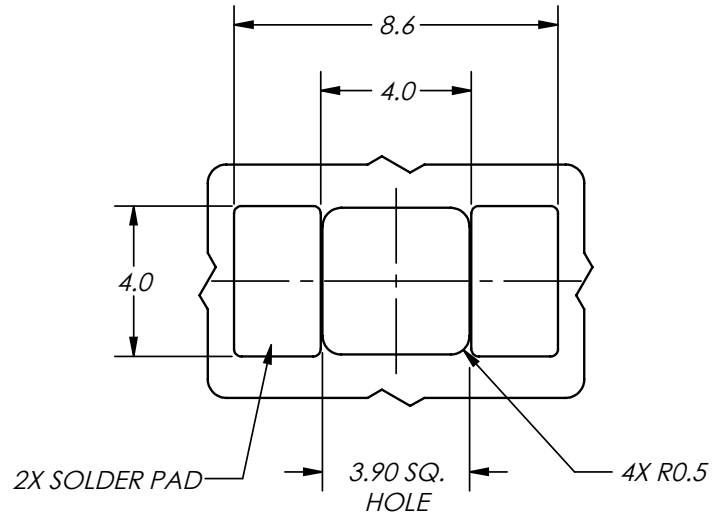
70-9296-001-115-006: 14 AWG

### VERTICAL CONTACT THRU-BOARD WIRE INSERTION

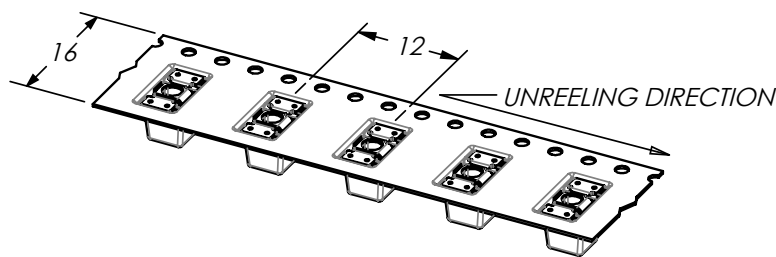
#### WIRE DETAIL



#### SUGGESTED PCB LAYOUT

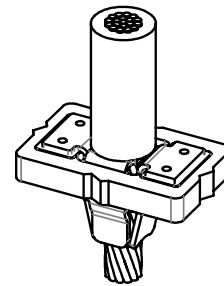


#### PACKING DETAILS



POCKET TAPE PER EIA-481-C

900 PARTS PER 330 mm REEL

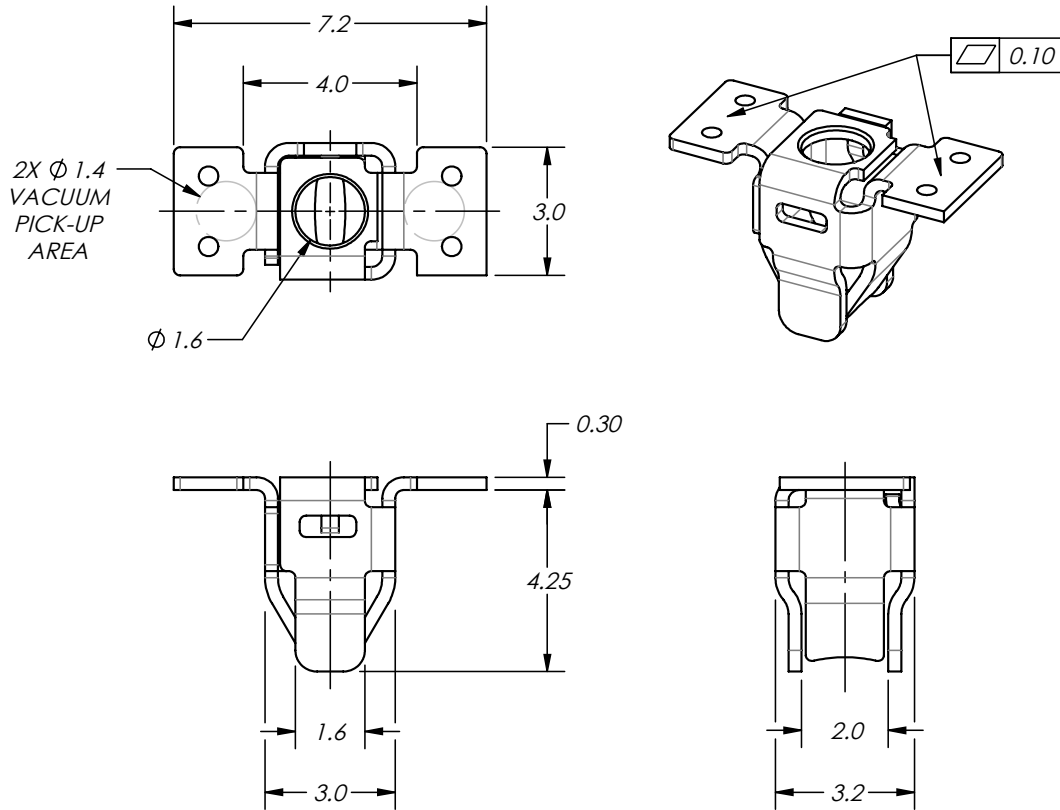


# POKE HOME: VERTICAL CONTACT THRU-BOARD WIRE INSERTION 12-18 AWG: 9296-11X



## 9296 Vertical Contact Thru-Board Wire Insertion

### 70-9296-001-114-006: 16-18 AWG VERTICAL CONTACT THRU-BOARD WIRE INSERTION



#### Notes

1. PART IS DESIGNED FOR USE WITH 16-18 AWG SOLID OR STRANDED WIRE.
2. MATERIAL: TIN-PLATED PHOSPHOR-BRONZE.
3. STRIPPED, STRANDED WIRE MUST BE PROPERLY TWISTED OR TINNED TO FUNCTION CORRECTLY.
4. CONTACT IS NOT DESIGNED FOR WIRE TO BE REMOVED AND RE-INSERTED.
5. UL REFERENCE E90723 (US AND CANADA).

# POKE HOME: VERTICAL CONTACT THRU-BOARD WIRE INSERTION 12-18 AWG: 9296-11X

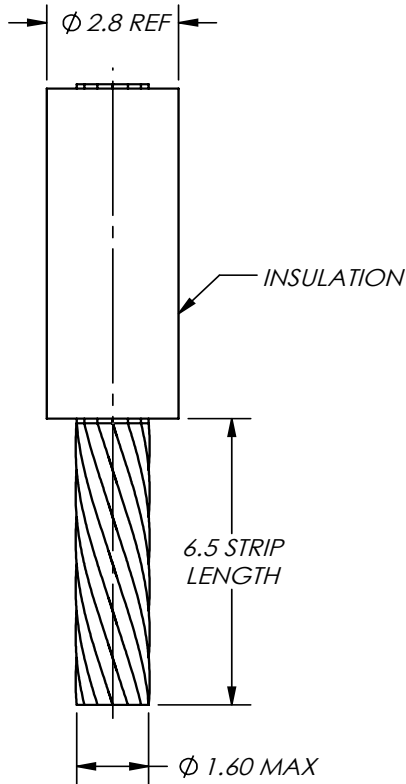


## Wire Detail/PCB Layout/Packing Details

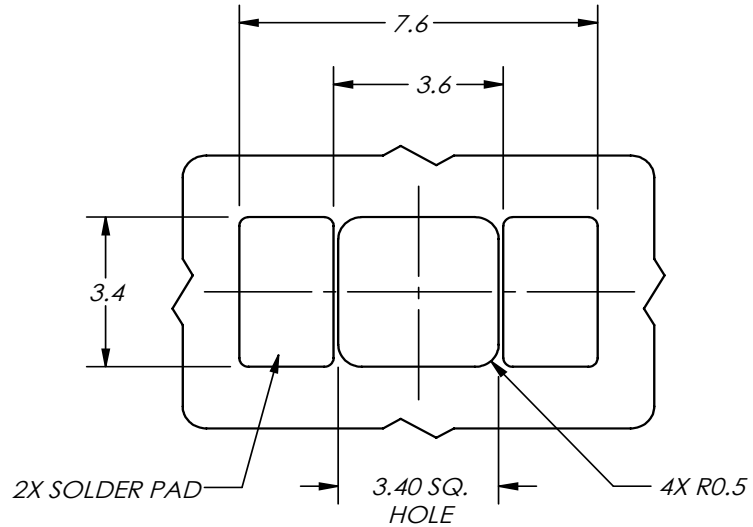
70-9296-001-114-006: 16-18 AWG

### VERTICAL CONTACT THRU-BOARD WIRE INSERTION

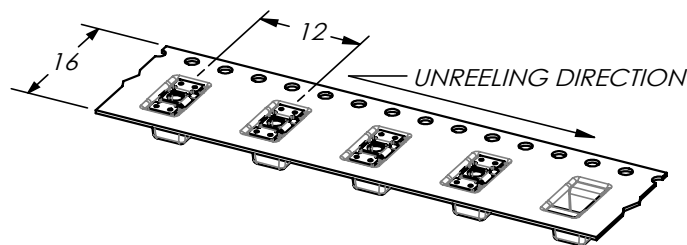
#### WIRE DETAIL



#### SUGGESTED PCB LAYOUT



#### PACKING DETAILS



POCKET TAPE PER EIA-481-C  
1,000 PARTS PER 330 mm REEL

